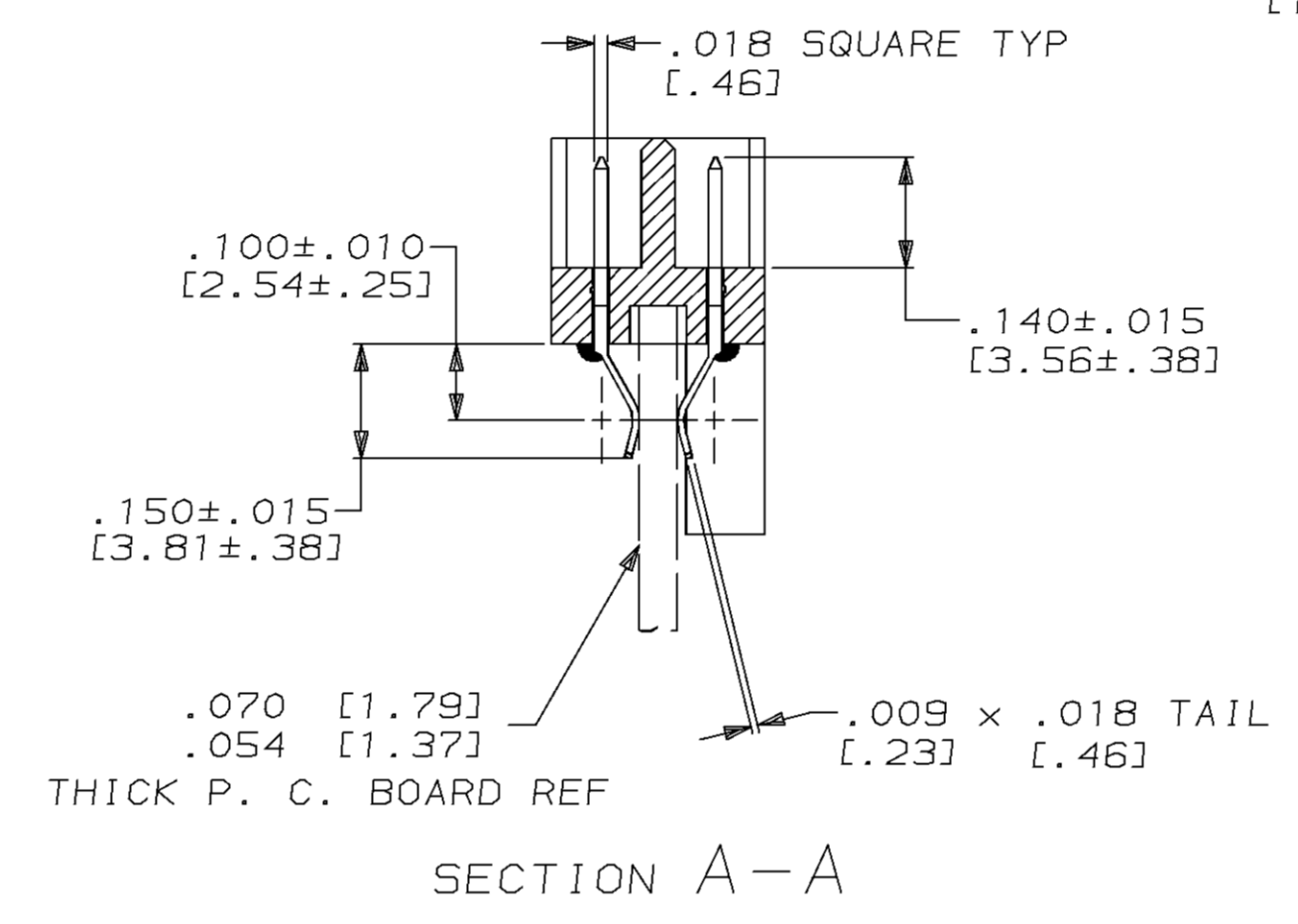
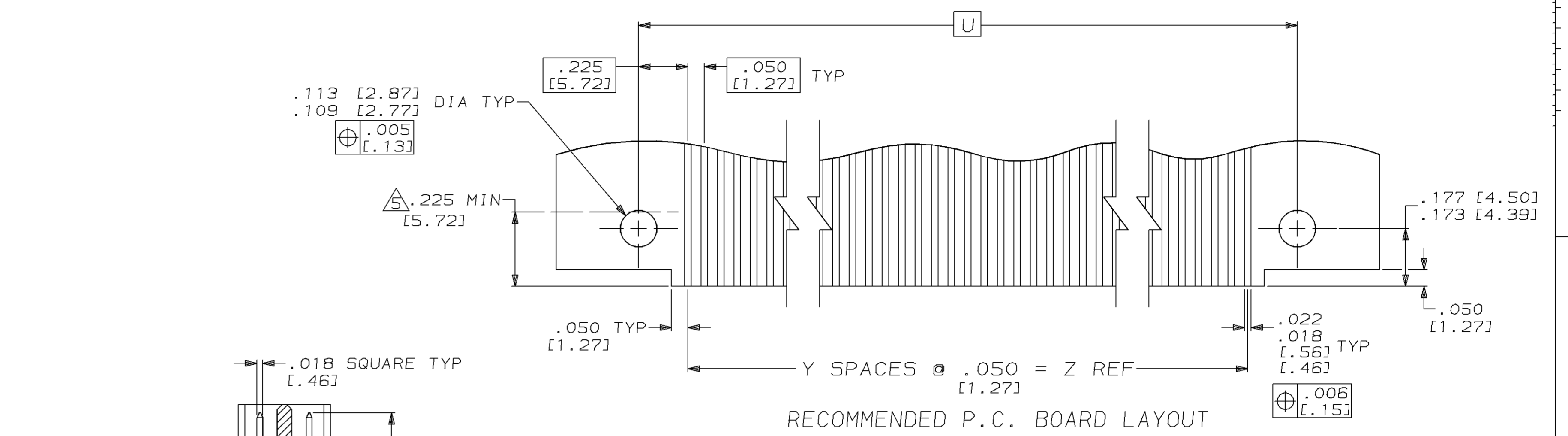
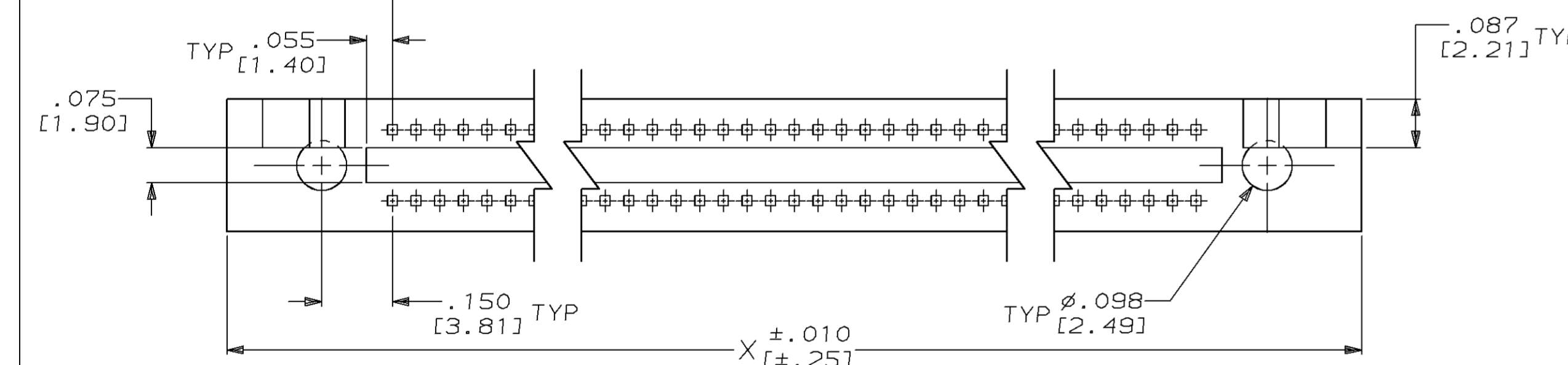
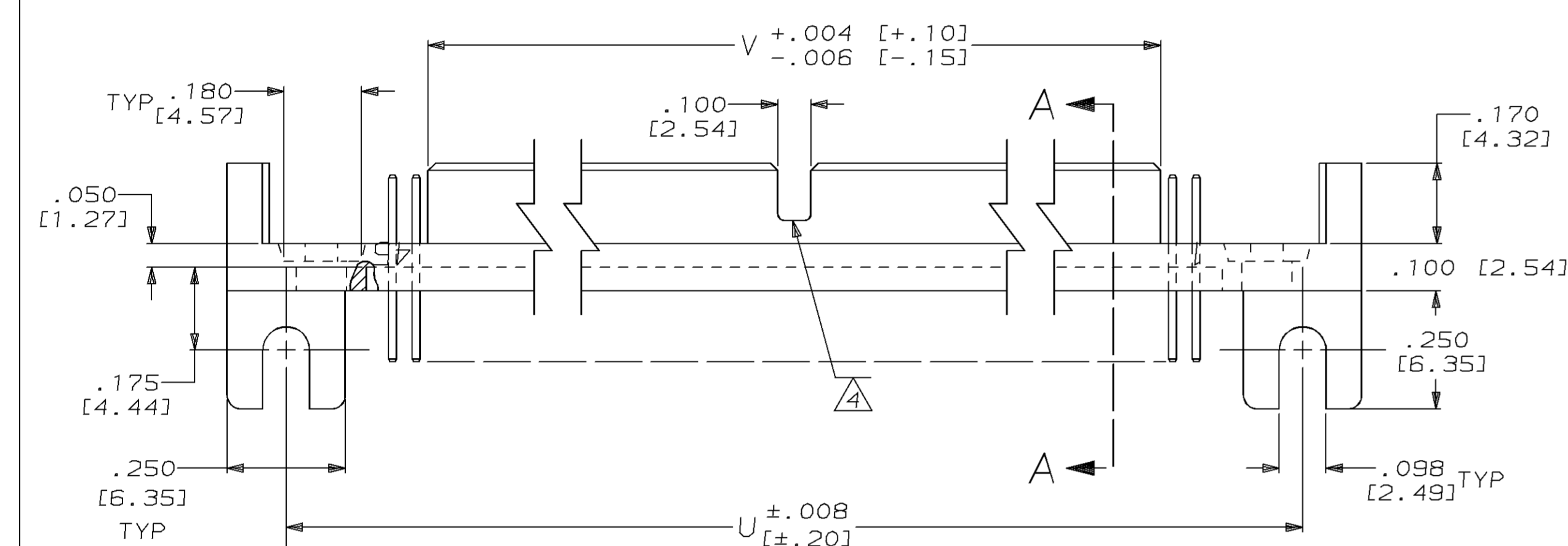
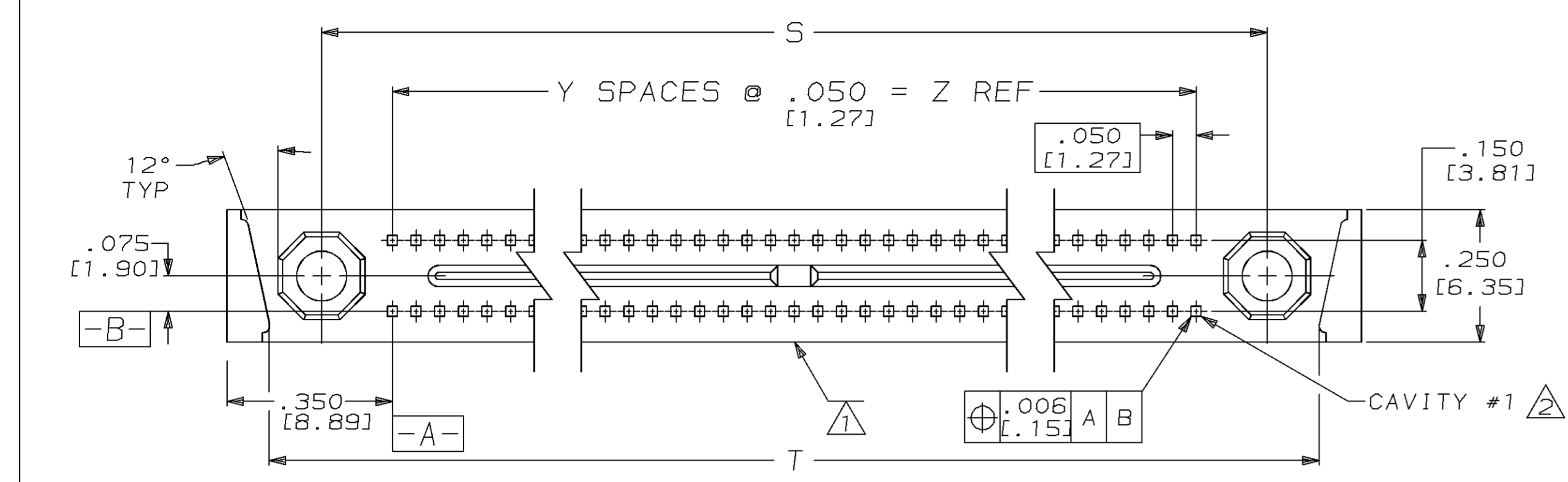


PROJ	LOC	DIST	REV	ZONE	LTR	DESCRIPTION	DATE	APPD
5327	DF	F0						
			C			REDWN PER DF-2766 TW	4-90	DS
			D			REV PER DF-5332 AG	1-92	DG
			E			REV PER DF-5470 TA	2-10-92	DG
			F			REV PER 0600-1388-93 TA	5-4-94	DG



- △ AMP, 00779, AMP PART NUMBER, MILITARY PART NUMBER AND DATE CODE MARKED IN THIS APPROXIMATE AREA.
- △ NUMBERS INDICATING END POSITIONS MARKED THIS SIDE ONLY.
- 3. MEETS ALL APPLICABLE REQUIREMENTS OF MIL-C-55302.
- △ SLOT IN TONGUE IS NOT APPLICABLE FOR 20 THRU 50 POSITION.
- △ MINIMUM PAD LENGTH ON CIRCUIT BOARD.
- △ HOUSING MATERIAL: LIQUID CRYSTAL POLYMER PER MIL-M-24519, GLCP-30F; COLOR: GRAY.
- △ CONTACT FINISH: PLATED GOLD .000050 THICK IN CONTACT AREA, PLATED TIN-LEAD .000100 THICK ON TAILS, ALL OVER NICKEL .000030 THICK.

△	M55302/118-11	1 - 64	3.150 [80.01]	63	3.850 [97.79]	2.990 [75.95]	3.600 [91.44]	3.670 [93.22]	3.450 [87.63]	128	2-530744-2
△	M55302/118-10	1 - 55	2.700 [68.58]	54	3.400 [86.36]	2.540 [64.52]	3.150 [80.01]	3.220 [81.79]	3.000 [76.20]	110	2-530744-1
△	M55302/118-09	1 - 50	2.450 [62.23]	49	3.150 [80.01]	2.290 [58.17]	2.900 [73.66]	2.970 [75.44]	2.750 [69.85]	100	2-530744-0
△	M55302/118-08	1 - 45	2.200 [55.88]	44	2.900 [73.66]	2.040 [51.82]	2.650 [67.31]	2.720 [69.09]	2.500 [63.50]	90	1-530744-9
△	M55302/118-07	1 - 40	1.950 [49.53]	39	2.650 [67.31]	1.790 [45.47]	2.400 [60.96]	2.470 [62.74]	2.250 [57.15]	80	1-530744-8
△	M55302/118-06	1 - 35	1.700 [43.18]	34	2.400 [60.96]	1.540 [39.12]	2.150 [54.61]	2.220 [56.39]	2.000 [50.80]	70	1-530744-7
△	M55302/118-05	1 - 30	1.450 [36.83]	29	2.150 [54.61]	1.290 [32.77]	1.900 [48.26]	1.970 [50.04]	1.750 [44.45]	60	1-530744-6
△	M55302/118-04	1 - 25	1.200 [30.48]	24	1.900 [48.26]	1.040 [26.42]	1.650 [41.91]	1.720 [43.69]	1.500 [38.10]	50	1-530744-5
△	M55302/118-03	1 - 20	.950 [24.13]	19	1.650 [41.91]	.790 [20.07]	1.400 [35.56]	1.470 [37.34]	1.250 [31.75]	40	1-530744-4
△	M55302/118-02	1 - 15	.700 [17.78]	14	1.400 [35.56]	.540 [13.72]	1.150 [29.21]	1.220 [30.99]	1.000 [25.40]	30	1-530744-3
△	M55302/118-01	1 - 10	.450 [11.43]	9	1.150 [29.21]	.290 [7.37]	.900 [22.86]	.970 [24.64]	.750 [19.05]	20	1-530744-2
											SUPSD BY 2-530744-2
											1-530744-1
											1-530744-0
											530744-9
											530744-8
											530744-7
											530744-6
											530744-5
											530744-4
											530744-3
											530744-2
											530744-1
HSG MAT'L	MILITARY PART NUMBER	△	Z	Y	X	V	U	T	S	NO. OF POSN.	PART NUMBER

DO NOT SCALE PRINT. UNLESS SPECIFIED DIMENSIONS IN INCHES [mm] TOLERANCES ON:

2 PLC DEC ± .005 [0.13]
 3 PLC DEC ± .005 [0.13]
 ANGLES ± 0° 30'

MATERIAL CONTACT: BRASS HOUSING: △ △

FINISH CONTACT: △

DR 3-12-90 T. WIEST
 CHK 4-1-90 D. STONER
 APPD 4-1-90 D. STONER
 APPD 4-1-90 D. STONER
 PRODUCT SPEC -
 APPLICATION SPEC -
 WEIGHT -

AMP INCORPORATED Harrisburg, Pa. 17105

NAME PIN HEADER ASSEMBLY, MINI BOX, CARD EXTENDER, MILITARY

SIZE D FSCM NO 00779 DRAWING NO 530744
 SCALE 4:1 SHEET 1 OF 1